

# REFRACTION UNIT TRU-2000

ADVANCED REFRACTION UNIT

# DELIGHT IN SIGHT

Elegance and comfort  
personified.



- Space saving with integrated accessories drawer
- Easy to install (right or left handed operation)
- Preconfigured for Tomey equipment

- Comfortable motorised chair with tilting action
- Timeless but remarkable
- Personal touch with individual internal LED light

 **TOMEY**  
TECHNOLOGY AND VISION

# The Tomey Refraction Unit TRU-2000



## QUALITY IN DETAIL

Portray your clinical excellence confidently with the **Tomey TRU-2000** refraction unit. Representing the ultimate combination of comfort, elegance and functionality, the **TRU-2000** delivers maximum flexibility and convenience in a remarkably compact footprint.

### KEYBOARD

Multifunctional and intuitive



### LED READING LIGHT

Bright and persistent

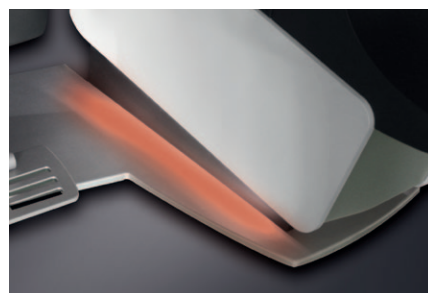
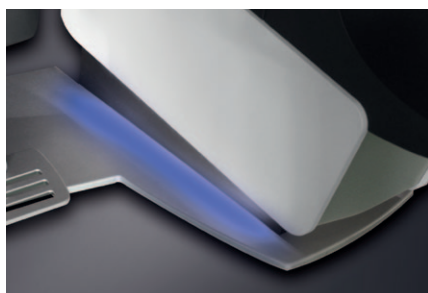


### INTEGRATED DRAWER

e.g. for trial lenses



Individual colour adjustment due to RGB LED (colour sample)



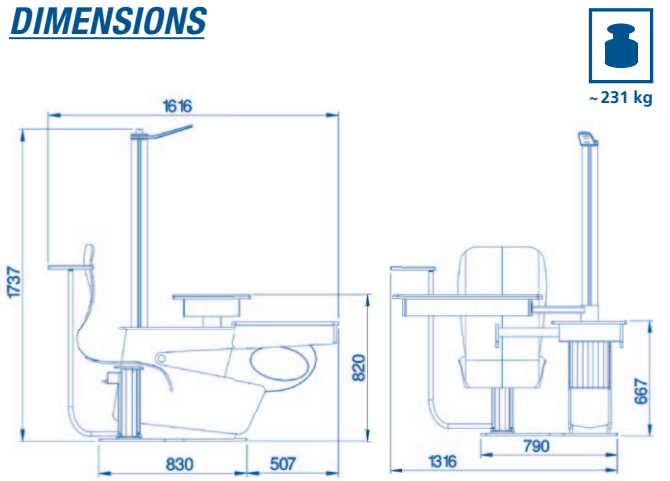
## SPECIFICATIONS

<b>Table</b>	Rotating 90°, laterally movable, for 2 units
<b>Table height</b>	81 cm
<b>Seat height</b>	44 cm
<b>Seat elevation</b>	44 - 59 cm
<b>Nominal lifting capacity</b>	max. 120 kg
<b>Projector column height</b>	170 cm
<b>Connectors</b>	1 x RS-232, 1 x 5-pin slit lamp, 1 x LAN, 1 x USB 2.0, 2 x power connector
<b>Reading light</b>	white LED 12 V
<b>Internal light (RGB)</b>	white LED 12 V
<b>Power consumption</b>	300 VA
<b>Power supply</b>	230 V
<b>Total weight (without instruments)</b>	approx. 231 kg

### Optionals:

Phoropter arm, trial lens cabinet, skiascope / ophthalmoscope holder

## DIMENSIONS



**TOMEY EUROPE**  
TOMEY GmbH  
Am Weichselgarten 19a  
91058 Erlangen, Germany

Phone +49 9131 77710, Fax +49 9131 777120  
Email info@tomey.de

**TOMEY ASIA-PACIFIC**  
TOMEY CORPORATION JAPAN  
2-11-33 Noritakeshinmachi  
Nishi-ku, Nagoya 451-0051, Japan

Phone +81 52 581 5327, Fax +81 52 561 4735  
Email intl@tomey.co.jp

**TOMEY**  
TECHNOLOGY AND VISION

www.tomey.de